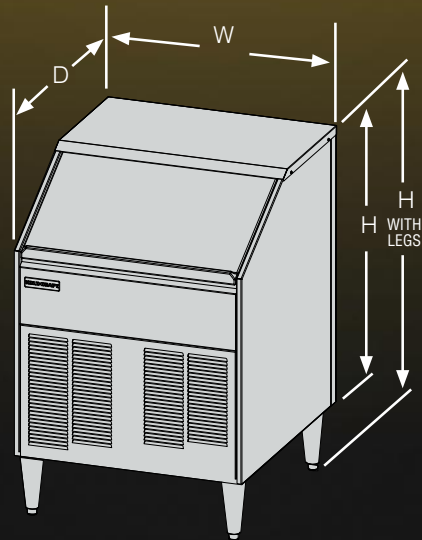




### The KOLD-DRAFT SC200

- Produces up to 200 lbs. of full cube ice per day.
- Ideal for any undercounter or bar application.
- Front breathing inlet and discharge allows installation in tight spaces.
- Front access to ice. Door lifts up or slides in, so it's out of the way,
- Electroless nickel plated evaporator.
- Corrosion-resistant stainless steel exterior with plastic door and bin liner
- Stores 100 lbs. of ice.



**Plumbing:**  
 1/2" FIP potable water inlet  
 3/4" FIP ice bin drain  
 1/2" FIP ice maker drain  
 .88" Diameter electrical connection

**Exterior Finish:**  
 Corrosion-resistant stainless steel exterior with plastic door and bin liner

IT'S NICE TO BE NOTICED™

### Dimensions/Weight

Description	Dimensions / inches (cm)			Ship Weight
	W	D	H	
Air Cooled (without legs)	26" (66cm)	28.6" (72.6cm)	31.4" (79.8cm)	207lb (94kg)
With Legs	26" (66cm)	28.6" (72.6cm)	37.4" (100cm)	207lb (94kg)

### Recommended Operating Requirements:

	MIN.	MAX.
Room Temp.	45°F (7°C)	90°F (32°C)
Water Temp.	45°F (7°C)	90°F (32°C)
Voltage 220-240	210	250
Voltage 115	104	126
Potable Water Pressure	5 PSIG (0.034 MPA)	100 PSIG (0.6 MPA)

### SC200 Series Daily Capacities: Lbs. of ice per 24 hours per unit

Model Number	Electrical Volt/ Hz/Ph	Condenser	Cube Size	Ice Capacity 24 Hours lbs. (kg)		Energy Input 90°F/70°F kWh/100# (kJ/kg)	Tier	Water Use gal/100# (l/kg) 90°F/70°F		Min. Circuit Amp	Max. Fuse Size Amps
				70°F (21°C) / 50°F (10°C) Ambient/Water	90°F (32°C) / 70°F (21°C) Ambient/Water			Potable	Condenser		
SC201	115/60/1	Air Cooled	Full Cube	150 (68.04)	119 (53.98)	8.71 (691.28)	I	29.56 (2.47)	n/a	6	15
SC207	220-240/50/1	Air Cooled	Full Cube	149 (67.59)	118 (53.52)	8.25 (654.77)	I	29.34 (2.45)	n/a	3	15



\*Coming Soon: Liquid cooled machines and additional cube sizes, including half cube and kubelet.



**800-762-2968**

Email: [systems@remagensolutions.com](mailto:systems@remagensolutions.com)

Website: [remagensolutions.com](http://remagensolutions.com)